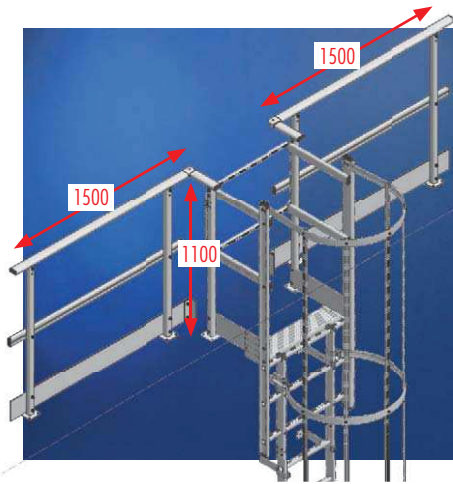


VERTICAL LADDERS - exits, wall-ties



Guardrail for exit **G**

Material	Alumin.
Order no. left	0053335
Order no. right	0053336

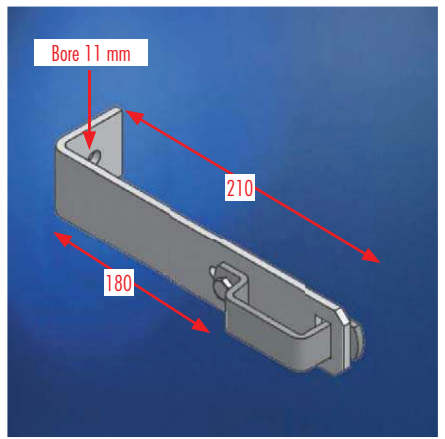
DIN EN ISO 14122-4
Access to plants and machinery.



Extendable entry aid **G**

Material	Steel	Alumin.
Order no.	0051633	0053345

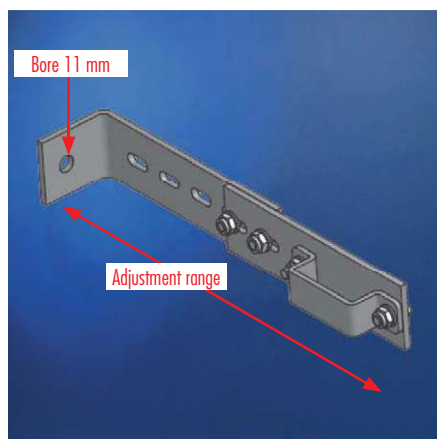
Can be used for skylights, transom windows, shafts, pits



Wall hook 210 mm **G**

Material	Alumin.	Steel
Order no.	0050139	0051568

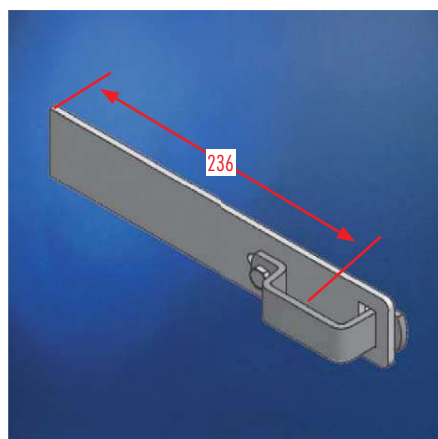
Suitable for stile 60 x 24 mm



Wall hook adjustable **G**

Material	Steel	Steel
Size mm	155 - 245	250 - 350
Order no.	0051572	0052525

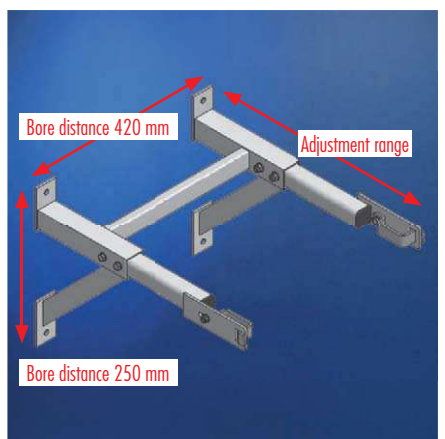
Only available in galvanised steel suitable for stile 60x24 mm.



Wall-tie straight **G**

Material	Alumin.	Steel
Order no.	0050141	0051569

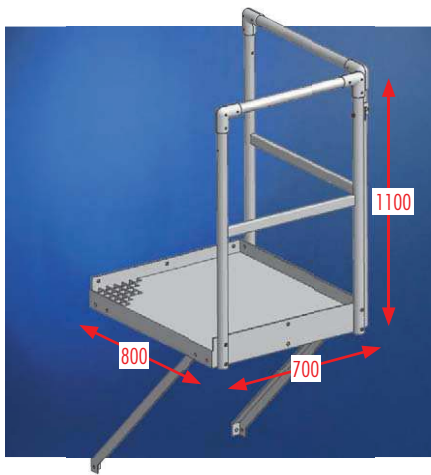
Suitable for stile 60x24 mm



Wall bracket adjustable **G**

Material	Alumin.	Alumin.	Alumin.
Size mm	350 - 500	500 - 650	650 - 800
Order no.	0053320	0053321	0053322

Suitable for stile 60x24 mm

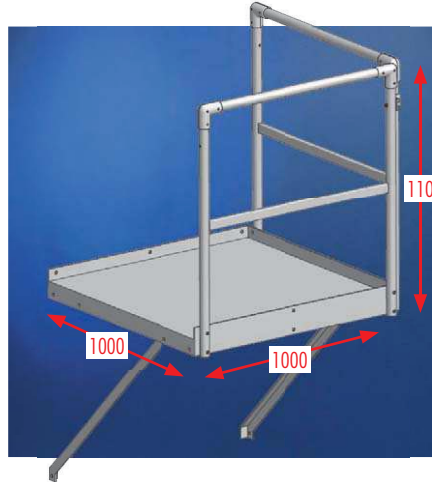


Platform with guardrail small

Platform made of galvanised steel galvanised
Guardrail in aluminium or steel galvanised
Width 700 mm, depth 800 mm **G**

Guardrail in	Alumin.	Alumin.	Steel
Order no.	0053538	0053544	0041425
	Exit left	Exit right	

Can be used for all conventional standards.



Platform with guardrail large

Platform made of galvanised steel galvanised
Guardrail in aluminium
Width 1000 mm, depth 1000 mm **G**

Guardrail in	Alumin.	Alumin.
Order no.	0053537	0053543
	Exit left	Exit right

Can be used for all conventional standards.

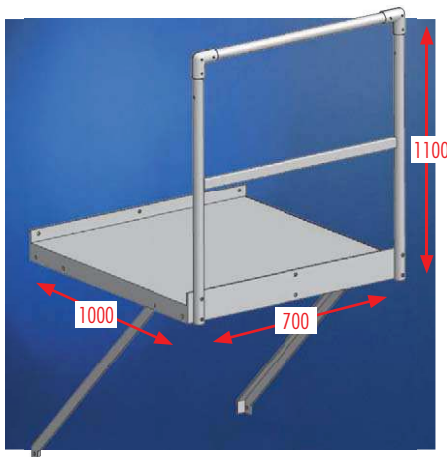


Extension platform with guardrail small

Serrated made of galvanised steel
Guardrail in aluminium or galvanised steel
Width 700 mm, depth 800 mm **G**

Guardrail in	Alumin.	Steel
Order no.	0050663	0041455

Can be used for all conventional standards.

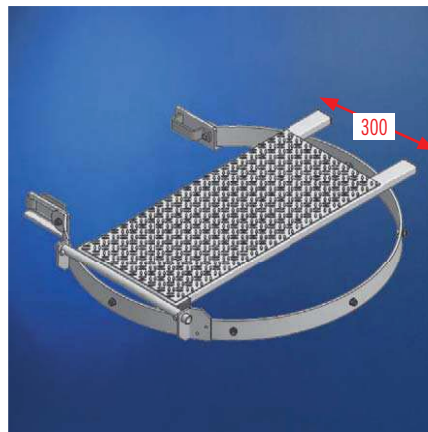


Extension platform w. guardrail large

Serrated platform made of galvanised steel
Guardrail in Aluminium
Width 700 mm, depth 1000 mm **G**

Material	Alumin.
Order no.	0050714

Can be used for all conventional standards.



Intermediate folding platform

Material	Alumin.
Order no.	0053329

lockable

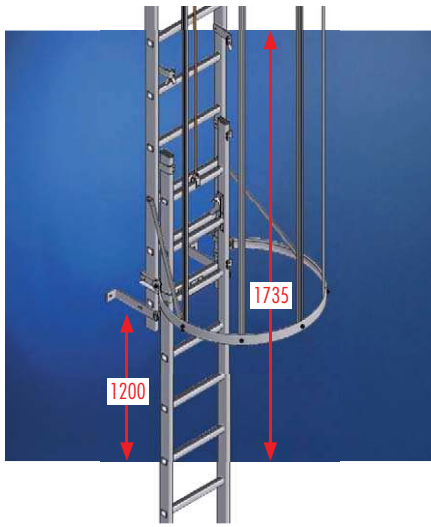
Material	Alumin.
Order no.	0053330



Fixed platform

Aluminium checker plate **G**

Material	Alumin.
Order no.	0053288

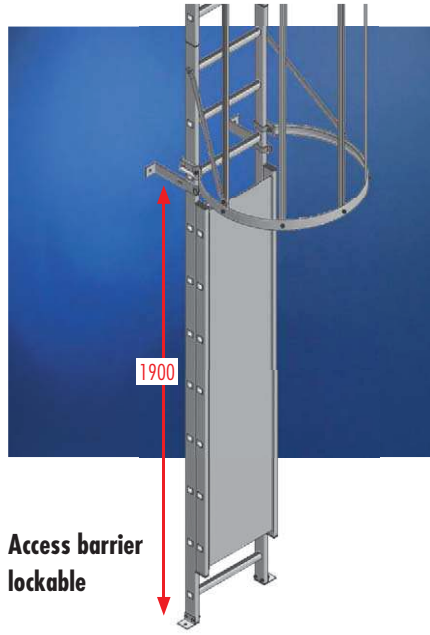


Entrance retractable

Ladder section can be opened with the aid of a rope-pull. Only available in aluminium.

G

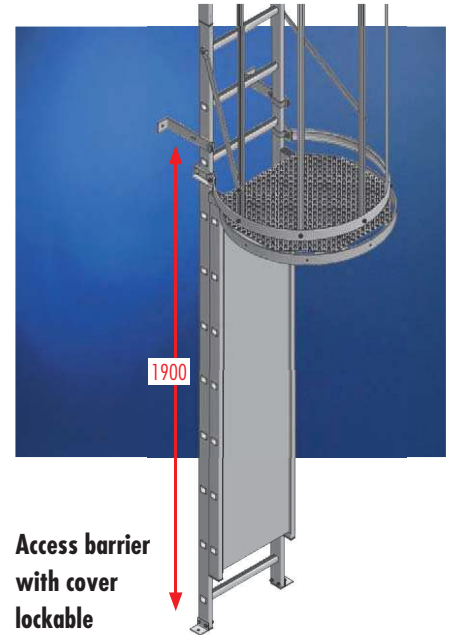
Rope-operation from	above	below
Order no.	0051634	0051763



Access barrier lockable

G

Material	Alumin.
Order no.	0051637



Access barrier with cover lockable

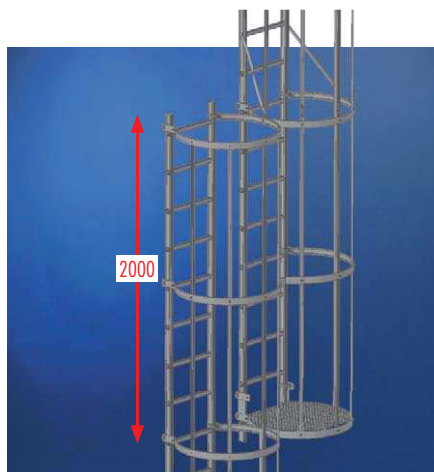
G

Material	Alumin.
Order no.	0051764

As a spare part for retrofitting:

G

Rope-operation from	above	below
Order no.	52314	52315



Overlap consists of:

Description	Length	Quantity
3/4 rail		2
Brace	2000	5
Connection double clamp		1
Wall-ties		4
Fixed platform		1
Ladder section	1960	1
Diagonal tie		1
BP clamp		1



Diagonal tie

G

Material	Alumin.
Order no.	0053340

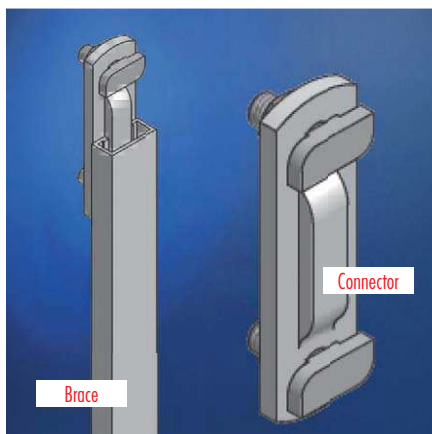
Only necessary for safety cage in aluminium,
1 x per ladder section.

Fig.: Aluminium, steel variation

Overlap:

G

Version	Alumin.	Steel
Order no.	0053536	0041842



Brace/connector f. safety cage

Connector	Alumin.	G
Order no.	0050255	

Brace for safety cage

G

Description	mm	Alumin.	Steel
Order no.	4372	002340	—
Order no.	5212	002370	—
Order no.	5833	002341	—
Order no.	6510	002371	—
Order no.	6000	—	0041481



Fig.: Aluminium, steel variation

Clamp for safety cage

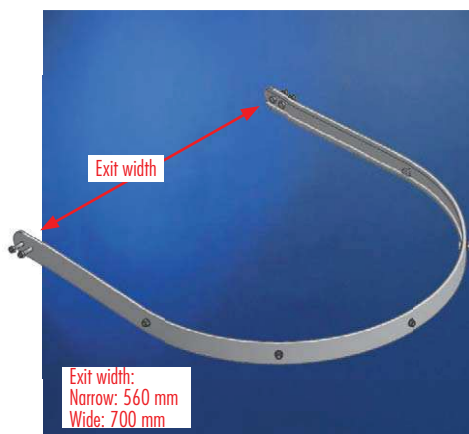
G

Connector	Alumin.	Steel
Order no.	0053272	0041417

Assembly tip:

Fit braces on inside of clamps,
nut on outside of clamps.

DIN 18799-1 building structures
DIN 14094 escape ladders



Safety cage clamp for exit

Material	Alumin.	G
Order no. Exit narrow	0053323	
Order no. Exit wide	0053324	

Differentiation of clamps depending on exit width



3/4 -clamp for side exit

Material	Alumin.	G
Order no. right	0053286	
Order no. left	0053287	

order no. = exit side



Connection for double clamp

Connector	Alumin.	Steel	G
Order no.	0053332	0041421	

In combination with one 3/4-clamp each
left-hand and right-hand version



Aluminium:

Rungs: 30 x 30 mm anti-slip ribbed
Stile cross-section: 60 x 24 mm,
Rungs flanged onto stile

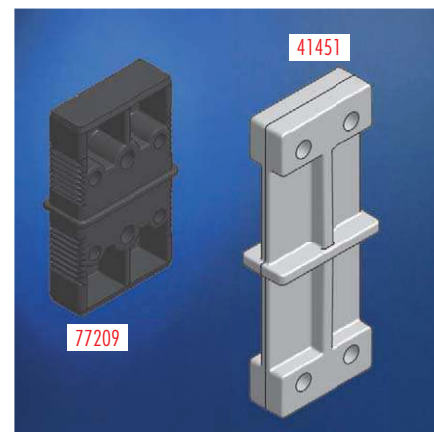
Galvanised steel:

Rungs: 25 x 25 mm anti-slip perforated
Stile cross-section: 60 x 24 mm
Welded stile-rung connection

Ladder sections

G

Version	mm	Alumin.	Steel
Order no.	1120	–	0041411
Order no.	1960	0051522	0041407
Order no.	3080	0051523	0041408
Order no.	3920	0051524	–
Order no.	5040	0051525	–
Order no.	6160	0051526	–

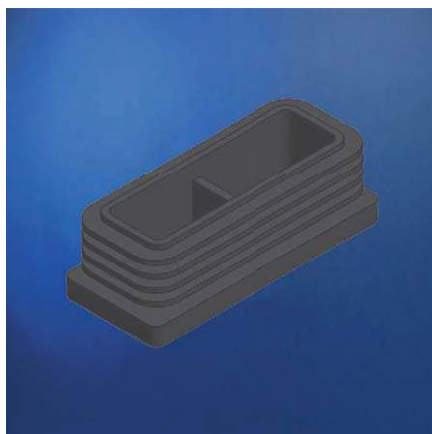


Ladder connector

G

Connector	PA	Alumin.
Order no.	0077209	0041451

For aluminium ladders: Polyamide (PA) with fibreglass reinforcement for steel ladders: Cast aluminium

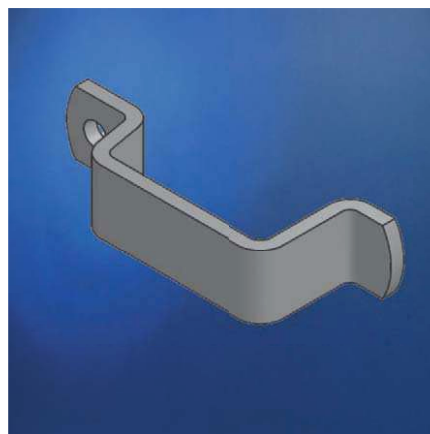


Lamella plug

G

Material	Plastic
Order no.	0077059

made of black plastic

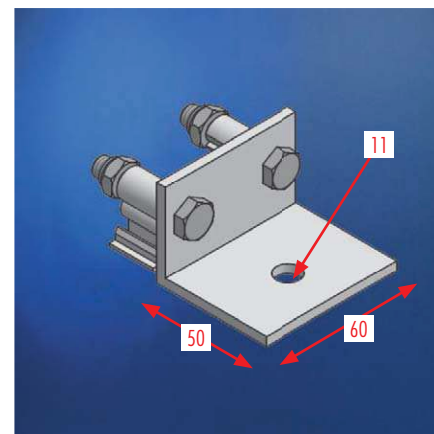


Clamp for wall-mounting

G

For tie in	Alumin.	Steel
Order no.	005440	0041503

Material: galvanised steel:
Complete with nut and bolt.



Platform bracket

G

Material	Alumin.
Order no.	0051566