



No.1 in telescopic work tools
TELESTEPS®
THE ORIGINAL
No.1 in telescopic work tools



No.1 in telescopic work tools



ONE STEP AHEAD

One ladder is just like another? Not in Telesteps' world. Since we started up in 1996 we have always seen things a little differently, and this has brought us to a leading position in the market. Differently means that we have managed to combine the flexible telescopic operation of our ladders and platforms with excellent safety and durability. Nobody else has been so successful in this. Our products may look unassuming at first sight, but in a way, that's just the point. We promise they will grow with the job.

THE ORIGINAL

You will find many different telescopic ladders on the market, but only one brand can claim to be the original.

We call ourselves that because Telesteps® was the first to launch a product that changed the market overnight.

And as the original, we have by far the longest and broadest experience when it comes to making a secure quality ladder.

We are proud of our culture, where we never compromise on safety or quality and ensure that every component we use has been tested both individually and as part of a functioning unit before delivery.

The original has been tested and certified under all the relevant norms by independent third parties.

TELESTEPS®

Design, product development and quality control take place at our headquarters in Tranås. The products reach satisfied customers through distributors and resellers in over 40 countries.

THE SIMPLER, THE SAFER

Simplicity and flexibility by all means, but we put safety first.

The telescopic ladder is easy to pull out to the desired length and securing it before use is just as quick. When the red locking catches have unfolded under each rung, this indicates that the ladder is ready for use and can handle loads of up to 150 kg.

There is also safety in always having a ladder with the right length for the job. It stands firmly thanks to rubber feet that optimise friction with the ground, and you can adjust the length to maintain the correct angle with the wall. The ladders and platforms are made of durable aluminium with hard-wearing glass fibre reinforced plastic fittings. We assemble the ladders by hand and test them all individually before delivery. Our products are certified and in accordance with the leading norms such as EN 131 and SP to mention a few.

WHAT'S PRO, SEMI PRO AND HOME?

Different classifications on the market can be confusing to many people. It is important to get the message across for the users to know what the terms "PRO", "SEMI PRO" and "HOME" means in Telesteps world.

PRO (Professional)

American ANSI level Type 1A (Extra Heavy-Duty)
European EN 131-6 level Professional
150 kg load

SEMI PRO (Semi Professional)

American ANSI level Type 1 (Heavy-Duty)
European EN 131-6 level Professional
150 kg load

HOME

American ANSI level Type 2 (Medium-Duty)
European EN 131-6 level Non Professional
150 kg load

But for Telesteps, this is not enough. Therefore we are unfolding the next chapter and stepping up the game once again.

For the first time ever Telesteps is introducing the first telescopic ladder for rescue workers.

It's something special...

Special (Special Applications)

European EN 1147 level 3 people
- Designed for firefighters, military and rescue workers
- 3 people on the ladder at the same time
- 500 kg load



PRO

PRIME LINE

The Most Powerful
Telescopic Ladder Yet.

With Prime we took everything we know about designing quality ladders and embarked on a new era. This is where safety, quality and design meets.



IT'S PRIME-TIME.

EN 131
European Standard
Europäische Norm
Norme Européenne
Conforme aux exigences
de sécurité

SIMPLE & FLEXIBLE

The ladder can be adjusted to the optimal height to fit your needs. It is compact for storage and transportation and with the telescopic function the ladders are perfect in small spaces.

QUALITY & SAFETY

The products are certified according to leading norms - EN 131, SP - and more.

DESIGN

Prime is the first telescopic ladder with a triangular tube design, making the ladder torsionally rigid and stronger than ever before.

BRAKE TECHNOLOGY BY TELESTEPS

Telesteps developed a sophisticated brake-system to minimize squeezing fingers. It is not only safe but makes the ladder easier to use at the same time.

CORRECT LEANING ANGLE & GREAT GRIP

The ladder is designed be used in 75 degrees leaning angle. With wide, angled and grooved steps that are horizontal with the ground also mean that you can feel safe at all times.



PRIME 3,0 M

Art. no: 70230-501
No. of treads: 10
Tread width: 50 mm
Working height: 3,8 m
Length, extended: 3,0 m
Length, closed: 0,79 m
Width: 0,47 m
Weight: 10,5 kg



PRIME 3,5 M STABILISER BAR

Art. no: 70235-601
No. of treads: 11
Tread width: 50 mm
Working height: 4,3 m
Length, extended: 3,5 m
Length, closed: 0,87 m
Width: 0,86 m
Weight: 14,5 kg



PRIME 4,1 M STABILISER BAR

Art. no: 70241-601
No. of treads: 13
Tread width: 50 mm
Working height: 4,9 m
Length, extended: 4,1 m
Length, closed: 0,94 m
Width: 0,9 m
Weight: 16,5 kg



PRIME 3,5 M STABILISERS

Art. no: 70235-651
Width: 0,55 m
Weight: 15 kg



PRIME 4,1 M STABILISERS

Art. no: 70241-651
Width: 0,56 m
Weight: 17,4 kg

ACCESSORIES

Stabiliser Bar Retro Kit

- 9103-101 (Prime 3,2 M)
- 9104-101 (Prime 3,8 M)
- 9105-101 (Prime 4,1 M)
- 9194-101 (Safety Feet for Stabiliser Bar)



Stabilisers Kit

- 9196-101
- 9197-101



Adjustable Safety Feet

- 9190-101

Ground Spikes

- 9142-101



Wall Mount

- 9195-101 (Basic)
- 9195-301 (Lock)
- 9195-201 (Pro Lock)

Carry Bag

- 9193-101



PRO

COMBI LINE

Leaning Ladder.
Free Standing Ladder.
Combination Ladder.

When you need to stand on the ladder for longer periods of time, where ergonomics is of importance for maximum comfort and safety – the Combi ladder is the right friend for the job!



MANY LADDERS IN ONE LADDER.

SIMPLE

We have always been convinced that the best ladder is both short and long. The telescopic ladder is easy to pull out to the desired length and securing it before use is just as easy.

FLEXIBLE

The ladder can be adjusted to the optimal height to fit your needs. It is small and compact for storage and transportation and with the telescopic function the ladders are perfect in small spaces.

QUALITY & SAFETY

The products are certified according to leading norms - EN 131, SP - and more. For more info on Telesteps safety work visit www.telesteps.com

DESIGN

Simple locking system with only two buttons. Wide steps for a safer experience. Use as a leaning ladder or a free-standing ladder. **Many ladders in ONE ladder.** Genius.

BRAKE TECHNOLOGY BY TELESTEPS

Telesteps developed a sophisticated brake-system to minimize squeezing fingers and for a controlled closing of the ladder. It is not only safe but makes the ladder easier to use at the same time.

EN 131
European Standard
Europäische Norm
Norme Européenne
Conforme aux exigences
de sécurité



COMBI 2,3 M

Art. no: 60623-501
No. of treads: 6 + 2
Tread width: 90 mm
Working height: 3,1 m
Length, extended: 2,3 m
Length, closed: 0,71 m
Width: 0,69 m
Weight: 14,5 kg

COMBI 3,0 M

Art. no: 60630-501
No. of treads: 8 + 2
Tread width: 90 mm
Working height: 3,8 m
Length, extended: 3,0 m
Length, closed: 0,78 m
Width: 0,77 m
Weight: 19,5 kg

ACCESSORIES



Work Tray
9180-101



Carry Handle
640-1192-101 (Combi 2,3 M)
720-1192-101 (Combi 3,0 M)

PRO

SOLID LINE

The Steadiest Surface
Since The Ground.

The ideal platform for the person standing within the same space for long periods of time. You can set it to three different heights. The Steadiest and Most Agile Platform You Will Ever Use.



STEADY AS THE GROUND.

SIMPLE

We have always been convinced that the best platform is both big and small. The telescopic platform is easy to adjust to the desired height and securing it before use is just as easy.

FLEXIBLE

The platform can be adjusted to the optimal height to fit your needs. It is small and compact for storage and transportation and with the telescopic function the platform is perfect in small spaces.

QUALITY & SAFETY

Telesteps does not compromise on anything. The products are certified according to leading norms - EN 131, SP - and more. For more info on Telesteps safety work visit www.telesteps.com

DESIGN

Simple locking system. Wide steps for a safer experience. Built-in handle for easy carrying. Designed for tough work environments.



SOLID PLATFORM

Art. no:	61209-101
No. of treads:	3
Tread width:	65 mm
Working height:	2,6 m
Height, extended:	0,51/0,68/0,88 m
Size, closed:	0,74x0,28x0,62 m
Width:	0,62 m
Weight:	16,5 kg



GO!

SEMI PRO

CLASSICO LINE

The Classic in
Telescopic Ladders.

The first of its kind.
Here we set the standard for
what you should expect from a
telescopic ladder.



EL CLASSICO.

EN 131

European Standard
Europäische Norm
Norme Européenne
Conforme aux exigences
de sécurité

SIMPLE

We have always been convinced that the best ladder is both short and long. The telescopic ladder is easy to pull out to the desired length and securing it before use is just as easy.

FLEXIBLE

The ladder can be adjusted to the optimal height to fit your needs. It is small and compact for storage and transportation and with the telescopic function the ladders are perfect in small spaces.

QUALITY & SAFETY

Telesteps does not compromise on anything. The products are certified according to leading norms - EN 131, SP - and more. For more info on Telesteps safety work visit www.telesteps.com

DESIGN

Simple locking system with only two buttons. Wide steps for a safer experience. The undisputed classic in telescopic ladders.

BRAKE TECHNOLOGY BY TELESTEPS

Telesteps developed a sophisticated brake-system to minimize squeezing fingers and for a controlled closing of the ladder. It is not only safe but makes the ladder easier to use at the same time.

ACCESSORIES - MANY LADDERS IN ONE

In our assortment there are also smart accessories that make your work even easier.



CLASSICO 3,0 M

Art. no:	60230-501
No. of treads:	9
Tread width:	65 mm
Working height:	3,8 m
Length, extended:	3,0 m
Length, closed:	0,75 m
Width:	0,5 m
Weight:	9,9 kg



CLASSICO 3,8 M STABILISER BAR

Art. no:	60238-601
No. of treads:	12
Tread width:	65 mm
Working height:	4,6 m
Length, extended:	3,8 m
Length, closed:	0,88 m
Width:	0,87 m
Weight:	15,2 kg

ACCESSORIES

Stabiliser Bar Retro Kit

9101-101 (Classico 3,3 M)
9102-101 (Classico 3,8 M)
9194-101 (Safety Feet for Stabiliser Bar)



Adjustable Safety Feet

9170-501



Ground Spikes

9142-101



Carry Bag

9193-101



Top Support

9160-301



**QUALITY.
STRENGTH.
PERSONALITY.**





LOFT LINE

The Smartest Loft Ladder, Ever.

The easy lock mechanism, the user friendly design – pull the ladder gently and it's ready at your disposal; unlock the locking pins and gently push the ladder back up – Voila!

Finally, you can start using your loft.



THE LOFT. YOUR NEW FAVORITE PLACE TO BE.

SIMPLE

We have always been convinced that the best ladder is both short and long. The telescopic ladder is easy to pull out to the desired length and securing it before use is just as easy.

FLEXIBLE

Heavy ladders that take up a lot of space are often a necessary evil. This does not hold true for the Telesteps Loft ladder. It is easy to assemble, takes up minimum space in the attic and requires a small loft hatch. Heavy and cumbersome loft ladders are yesterday's news.

QUALITY & SAFETY

The products are certified according to leading norms - EN 131, SP - and more. For more info on Telesteps safety work visit www.telesteps.com

DESIGN

Simple locking system with only two buttons. Wide steps for a safer experience. Holder that keeps the ladder from sliding out when opening the hatchet.

All of a sudden the **Loft** is Your new **Favorite** place to be.



LOFT MINI

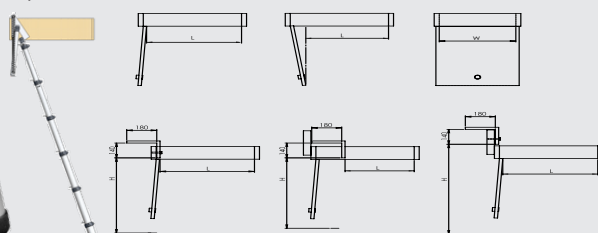
Art. no:	60324-101
No. of treads:	9
Tread width:	90 mm
Floor to hatch:	2,45-2,55 m
Min. hatch opening:	520x600 mm
Length, closed:	1 m
Weight:	13 kg



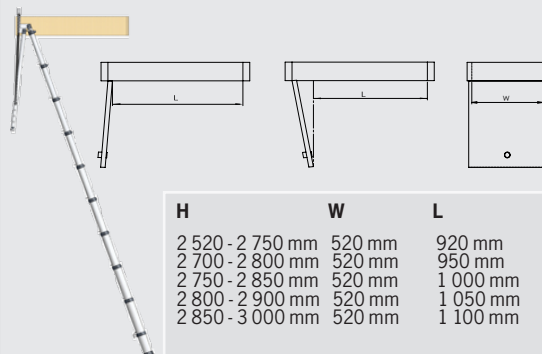
LOFT MAXI

Art. no:	60927-101
No. of treads:	10
Tread width:	90 mm
Floor to hatch:	2,52-3,0 m
Min. hatch opening:	520x920-1100 mm
Length, closed:	1 m
Weight:	15,5 kg

H = Floor to lower edge of fitting
W/L = Min. inside measurement



H	W	L
2 210 - 2 450 mm	520 mm	600 mm



H	W	L
2 520 - 2 750 mm	520 mm	920 mm
2 700 - 2 800 mm	520 mm	950 mm
2 750 - 2 850 mm	520 mm	1 000 mm
2 800 - 2 900 mm	520 mm	1 050 mm
2 850 - 3 000 mm	520 mm	1 100 mm



HOME

ECO LINE

For Home.
The Lightweight
Telescopic Ladder.

Safe, functional and easy
to take with you. The ladder
is small and compact for
storage and transportation -
The Friend For Your Home.



YOUR HOME COMPANION.

EN 131

European Standard
Europäische Norm
Norme Européenne
Conforme aux exigences
de sécurité

SIMPLE

We have always been convinced that the best ladder is both short and long. The telescopic ladder is easy to pull out to the desired length and securing it before use is just as easy.

FLEXIBLE

The ladder can be adjusted to the optimal height to fit your needs. It is small and compact for storage and transportation and with the telescopic function the ladders are perfect in small spaces.

QUALITY & SAFETY

Telesteps does not compromise on anything. The products are certified according to leading norms - EN 131, SP - and more. For more info on Telesteps safety work visit www.telesteps.com

ELEGANT AIR-DAMPING SYSTEM

The Eco Line has the elegant air-damping system built in to minimize squeezing fingers and for a controlled closing of the ladder. It is not only safe but makes the ladder easier to use at the same time.

THE PERFECT HOME LADDER

Simple locking system with only two buttons. Big and small yet simple and user friendly to use with no compromise in quality or safety. In other words - Your daily **HOME** ladder.

ACCESSORIES - MANY LADDERS IN ONE

In our assortment there are also smart accessories that make your work even easier.



ECO 3,0 M

Art. no:	20130-501
No. of treads:	9
Tread width:	40 mm
Working height:	3,8 m
Length, extended:	3,0 m
Length, closed:	0,75 m
Width:	0,5 m
Weight:	8,8 kg



ECO 3,8 M STABILISER BAR

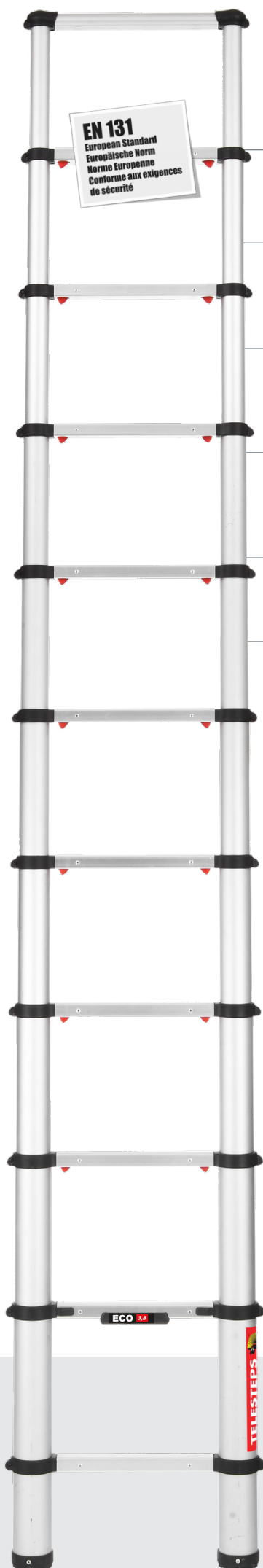
Art. no:	20138-601
No. of treads:	12
Tread width:	40 mm
Working height:	4,6 m
Length, extended:	3,8 m
Length, closed:	0,93 m
Width:	0,91 m
Weight:	13,9 kg

ACCESSORIES



Top Support
9160-301
Available for 3,8 M

Carry Bag
9193-101

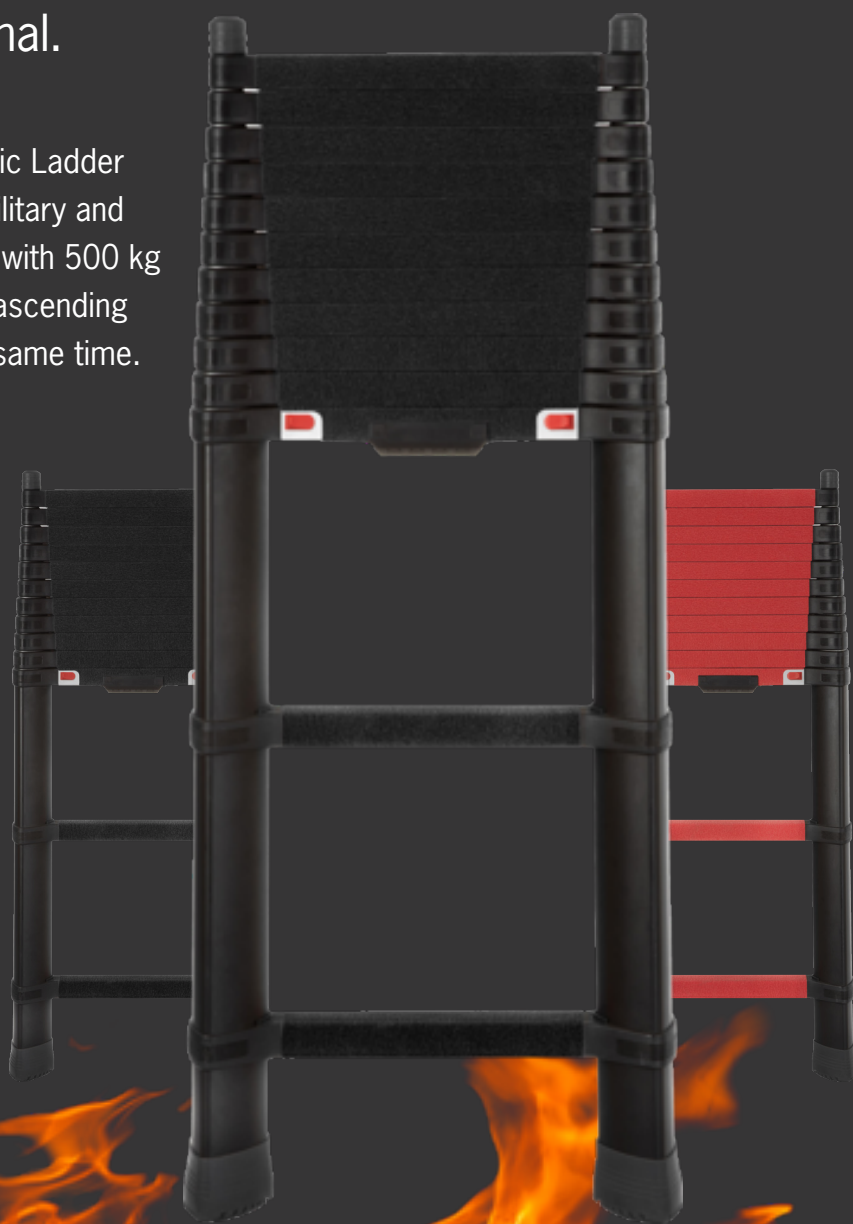


SPECIAL

RESCUE LINE

A New Animal.

The first Telescopic Ladder for firefighters, military and rescue personnel with 500 kg load or 3 people ascending the ladder at the same time.



THE NEXT CHAPTER.

RESCUE IS ON ITS WAY

Telesteps Rescue Line is the first telescopic ladder in the world where 3 people can use the ladder at the same time. It is the 2nd generation with the revolutionary triangular tube design. This makes the ladder stronger and more torsionally rigid than ever before.

SIMPLE, SAFE & STRONG

When Telesteps created the Rescue ladder it needed to consider the change in environments for rescue personnel worldwide - whether to quickly access windows or roof tops; in cold, warm or harsh conditions - The Telesteps Rescue ladder manages it all.

The Rescue is certified according to the European norm EN 1147, specifically designed for fire- and rescue workers, which is one of the hardest certifications to obtain for a telescopic ladder. This means it can handle loads up to **500 kg** or **3 people**.

THE UNDISPUTED NO 1 IN THE WORLD

Telesteps has since the beginning of the 90's been developing telescopic ladders, which has benefitted many industries and customers worldwide. With its big range of telescopic work tools, and with presence in over 40 countries, Telesteps is steadily continuing to innovate and pave the way for others to follow.

Rescue - where **Your Hero** meets the **Safety** and **Strength** by **Telesteps**.

EN 1147
European Standard
Europäische Norm
Norme Européenne
Conforme aux exigences
de sécurité



RESCUE 4,1 M MILITARY

Art. no: 70741-501B
No. of treads: 13
Tread width: 50 mm
Working height: 5,0 m
Length, extended: 4,1 m
Length, closed: 1,17 m
Width: 0,47 m
Weight: 19,2 kg

RESCUE 4,1 M FIREFIGHTERS

Art. no: 70741-501
No. of treads: 13
Tread width: 50 mm
Working height: 5,0 m
Length, extended: 4,1 m
Length, closed: 1,17 m
Width: 0,47 m
Weight: 19,2 kg



SERVICE

Our offer rests on the stable and reliable legs of our products but also the support that is already available to you as a customer. If your ladder or work platform is in need of service or if something unexpected has happened, our expertise is always close at hand in the form of support and spare parts. All our products directed at the professional market can be repaired.

If you have more general remarks, we are also here - anything so that you feel as safe as possible in terms of usage and functions.



HANDLING AND MAINTENANCE

The telescopic ladder is expanded out easily with a handle and securing the ladder before use is just as quick. When the red locking catches have been opened under each step, this signals that the ladder is ready for use and can manage loads of up to 150 kg. The most common cause of accidents with a ladder is due to the ladder sliding away from the surface. To avoid this it is very important that the ladder is stable and is used at the correct angle (75 degrees). In their closed positions, our products are easy and flexible to transport. Also make sure that the ladder is kept clean for optimal functionality.

And if, for some reason, something breaks, help is at hand in the form of support and spare parts. You don't want to be without your trusty workmate more than absolutely necessary.



No.1 in telescopic work tools

Telesteps AB | Box 362 | 573 24 Tranås | Sweden
 Tel +46 140 38 68 00 | info@telesteps.com | www.telesteps.com



EN 131
 European Standard
 Europäische Norm
 Norme Européenne
 Conforme aux exigences
 de sécurité

EN 1147
 European Standard
 Europäische Norm
 Norme Européenne
 Conforme aux exigences
 de sécurité

EN 14975
 European Standard
 Europäische Norm
 Norme Européenne
 Conforme aux exigences
 de sécurité

